

Features:

- Isolated mounting base 2500V~
- Pressure contact technology with
Increased power cycling capability
- Space and weight savings

Typical Applications

- Inverter
- Inductive heating
- Chopper

$I_{F(AV)}$	150 A
V_{RRM}	600~1600 V
I_{FSM}	$3.8 A \times 10^3$
I^2t	$72 A^2 S \times 10^3$



SYMBOL	CHARACTERISTIC	TEST CONDITIONS	$T_j(^{\circ}C)$	VALUE			UNIT
				Min	Type	Max	
$I_{F(AV)}$	Mean forward current	180° half sine wave 50Hz Single side cooled, $T_c=100^{\circ}C$	140			150	A
$I_F (RMS)$	RMS forward current		140			236	A
V_{RRM}	Repetitive peak reverse voltage	$V_{RRM} t_p=10ms$ $V_{RSM}= V_{RRM}+100V$	140	600		1600	V
I_{RRM}	Repetitive peak current	at V_{RRM}	140			30	mA
I_{FSM}	Surge forward current	10ms half sine wave	140			3.80	KA
I^2t	I^2T for fusing coordination	$V_R=0.6V_{RRM}$				72	$A^2s \times 10^3$
V_{FO}	Threshold voltage		140			0.80	V
r_F	Forward slop resistance					1.38	$m\Omega$
V_{FM}	Peak forward voltage	$I_{FM}=450A$	25			1.60	V
t_{rr}	Reverse recovery time	$I_{FM}=150A, t_p=1000\mu s,$ $-di/dt=20A/\mu s,$ $V_R=50V$	140		2.0		μs
$R_{th(j-c)}$	Thermal resistance Junction to case	Single side cooled				0.210	$^{\circ}C/W$
$R_{th(c-h)}$	Thermal resistance case to heatsink	Single side cooled				0.04	$^{\circ}C/W$
F_m	Terminal connection torque(M8)				12		N·m
	Mounting torque(M6)				6		N·m
T_{stg}	Stored temperature			-40		125	$^{\circ}C$
W_t	Weight				860		g
Outline	413F3						

Peak forward Voltage Vs. Peak forward Current

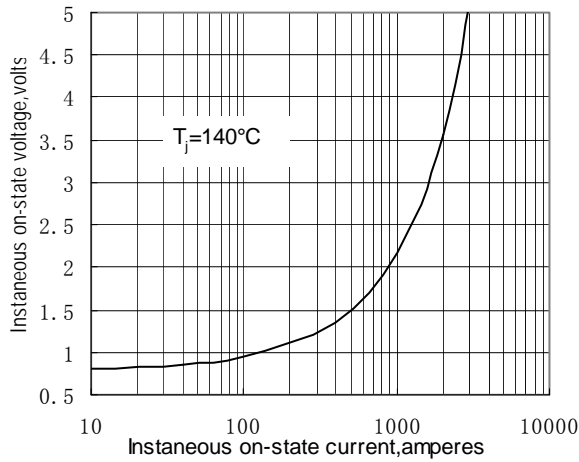


Fig.1

Max. junction To case Thermal Impedance Vs. Time

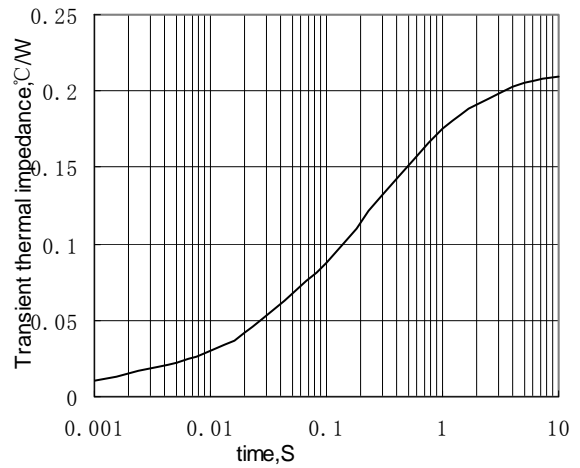


Fig.2

Surge Current Vs. Cycles

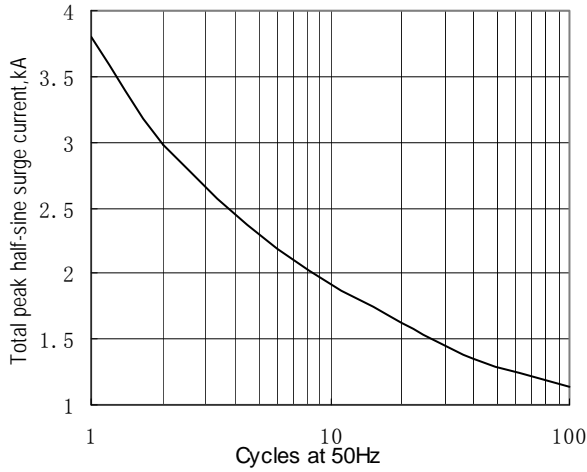


Fig.3

Pt Vs. Time

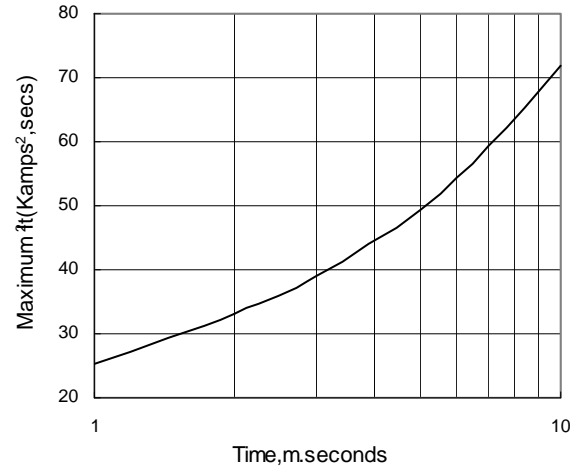
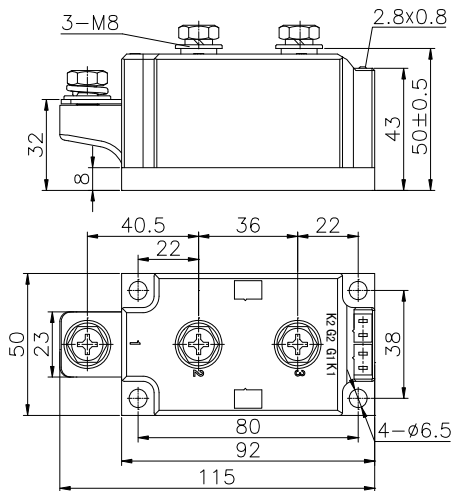


Fig.4

Outline:



413F3

