

**Features:**

- n Super fast recovery
- n Low forward voltage
- n Low leakage current
- n Popular module package

Typical Applications

- n Inverter welding power supply
- n Power supply for telecommunication
- n Various switching power supply

V_{RRM}	Type & Outline
200V	MUR20020-302H3

SYMBOL	CHARACTERISTIC	TEST CONDITIONS	$T_j(^{\circ}C)$	VALUE			UNIT
				Min	Type	Max	
$I_{F(AV)}$	Maximum average forward current	Single side cooled, $T_C=100^{\circ}C$ Per Moudle.	150			200	A
V_{RRM}	Repetitive peak voltage	$t_p=10ms$	25			200	V
I_{RRM}	Repetitive peak current	$V_{RM}=200V$	150			500	μA
			25			10	μA
I_{FSM}	Surge forward current	Per Diode , 8.3ms half sine wave	25			1.1	kA
V_{FM}	Peak forward voltage	Per Diode @ $I_{FM}=100A$	125		1.1	1.2	V
			25		1.2	1.4	V
t_{rr}	Reverse Recovery Time	$I_F=0.5A, I_{RM}=1A, I_{RR}=0.25A$	125		80	120	ns
			25		60	80	ns
C_j	Junction Capacitance	$V_R=200V$			35		pF
$R_{th(j-c)}$	Thermal resistance Junction to case	Per Diode , Single side cooled				0.40	$^{\circ}C/W$
T_{vj}	Junction temperature			-55		150	$^{\circ}C$
T_{stg}	Stored temperature			-55		125	$^{\circ}C$
F_m	Terminal connection torque(M6)				5.0		N·m
	Mounting torque(M6)				5.0		N·m
W_t	Weight				69		g
Outline	302H3						

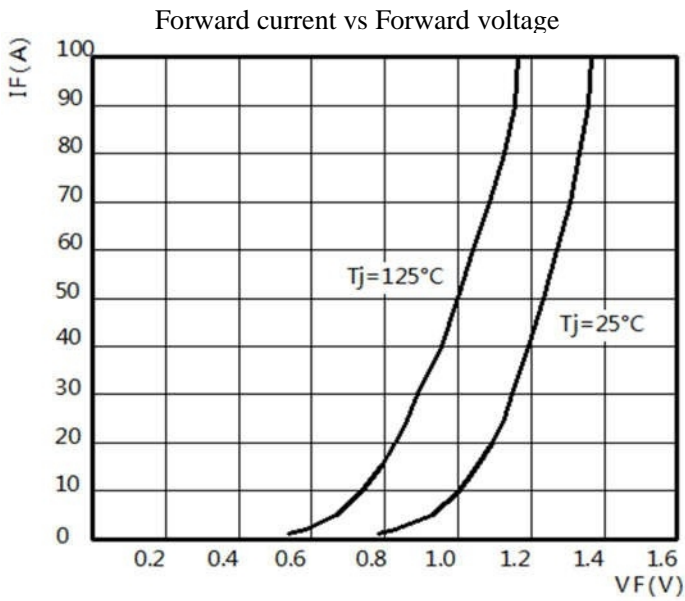


Fig.1

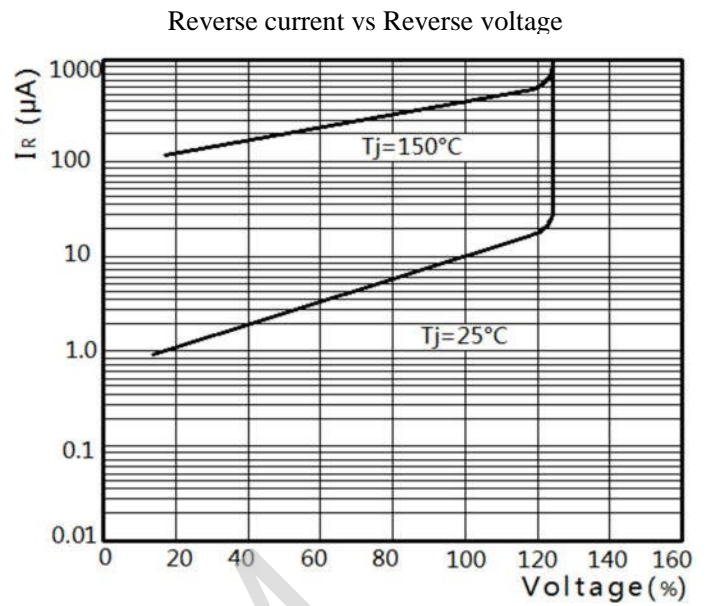


Fig.2

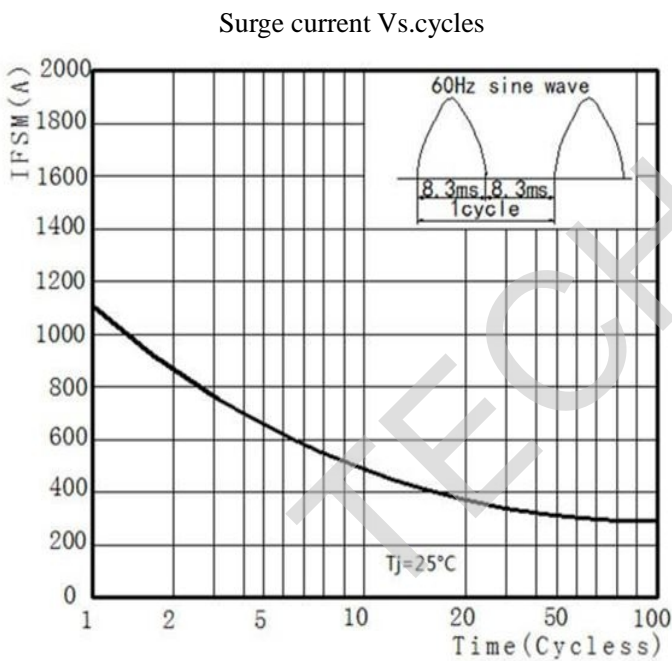


Fig.3

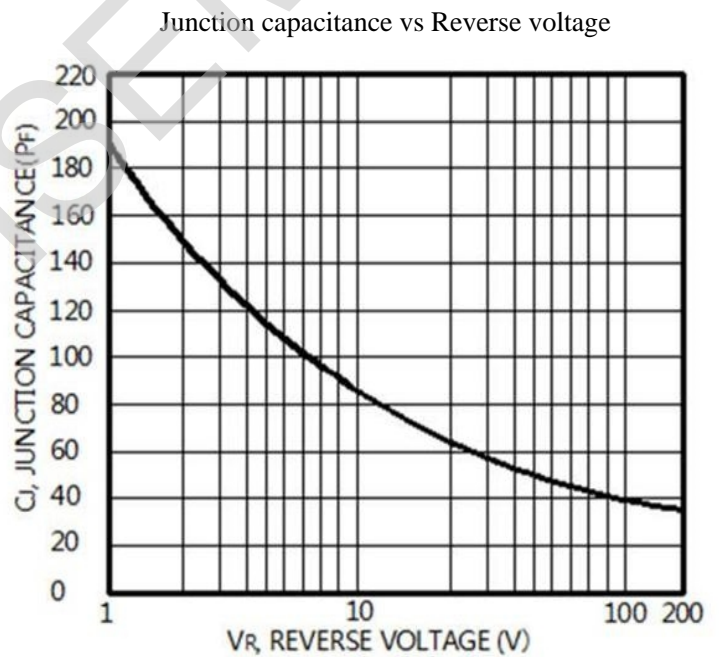
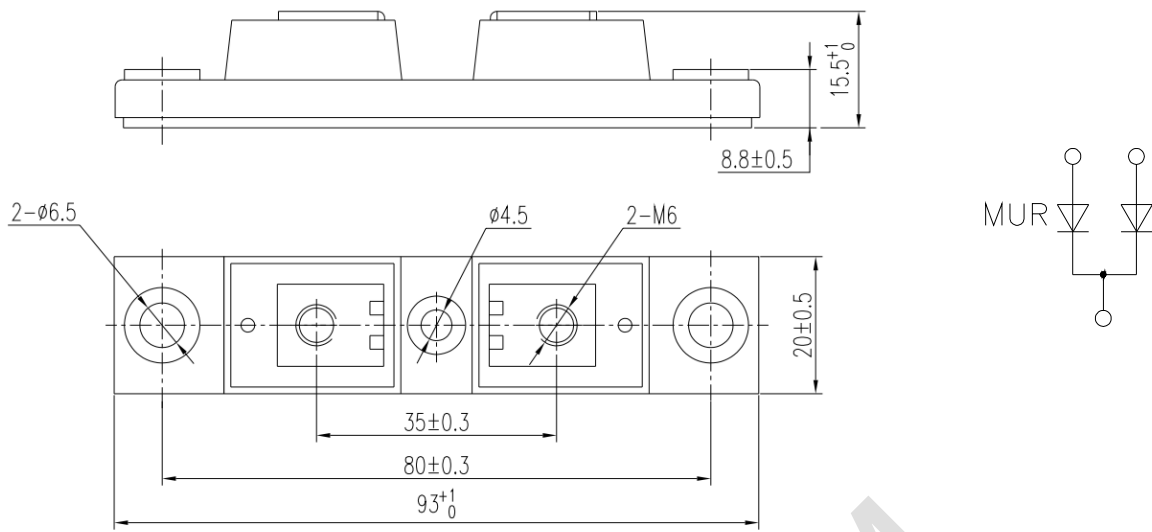


Fig.4

Outline:



TECHSEM